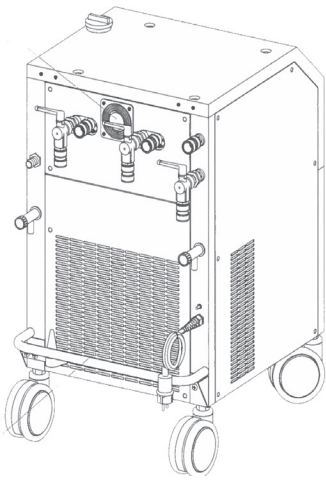


Testing Sorin Instruments



Sorin Heater-Cooler T-3

Special Pathogens Laboratory Sorin Testing

Special Pathogens Laboratory provides testing recommended by Sorin.

- Heterotrophic Plate Count – Test code 103, Cost \$25
- Pseudomonas aeruginosa – Test code 102, Cost \$30
- Coliform/E.coli – Test code 106, Cost \$50
- Nontuberculous mycobacterium – Test code 108, Cost \$150
- Legionella pneumophila and other Legionella sp. have been recovered from the Sorin instruments. Test code – 101, Cost \$110

Collection Instructions

- Collect water samples from both the hot and cold tanks.
- Run the device for five minutes, then collect a separate sample from each of the hot and cold circuits.
- Sample both before and after disinfection.
- Samples of at least 100 ml is required for each test ordered.
- When testing for all of the above tests a total of 500 ml is required, so it is important to fill the bottle completely.
- Sterile bottles containing sodium thiosulfate as well as ice packs can be obtained free of charge from SPL.

Shipping instructions

The HPC, Pseudomonas aeruginosa, and the Coliform/E.coli tests are both time and temperature sensitive. The water samples must be shipped overnight with frozen ice packs. You can use the same box the collection bottles were shipped in. This box contains an insulated liner which helps prevent drastic temperature changes during shipping. Be sure to fill out and include the Chain of Custody (COC) form with the water samples. The COC should include the test codes, time and day of collection, water sample description that matches the description on the bottles and the submitting company information. Special Pathogens Laboratory does not perform these tests on weekends or holidays. Mail the samples "next day overnight delivery" Monday through Thursday.

Nontuberculous mycobacterium test

The Nontuberculous mycobacterium (NTM), test code 108, is a presence/absence test. The isolates can only be identified to species using 16S DNA sequencing. This test is not done at SPL, however, the isolate can be sent out for sequencing at a cost of \$200 per isolate. If you are only interested in knowing if isolates are *M. chimaera*, our microbiologists can select those isolates for sequencing that are suspicious based on colony morphology and growth rate. If mycobacteria are recovered our microbiologist will notify you to discuss if sequencing is desired. If so, we will e-mail a form for you to sign and return authorizing SPL to send the isolate or isolates for sequencing.

Total Legionella Control

Special Pathogens Laboratory is dedicated to Total Legionella Control, through an integrated platform of evidence-based solutions:

- Pathogen Testing
- Consulting & Education
- ZERO outbreak Protection

P: 877.775.7284

SpecialPathogensLab.com

